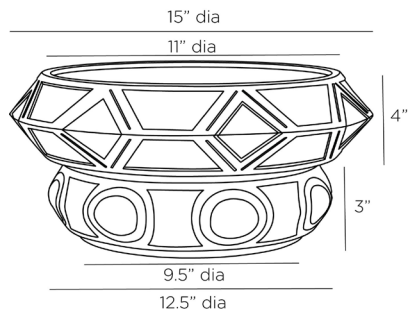


ARTERIOS

MILLENIA STACKED SMALL CENTERPIECE, SET OF 2

LAURA KIRAR



GKAYI02

Antique Brass, Cast Aluminum
Contract Suitable As Is

The Millenia Small Stacked Centerpieces have a visual language that combines art deco and orientalism and are rendered in cast aluminum. These timeless individual pieces are finished in antique brass and are designed to be used and displayed separately or stacked as bowls or trays. The Millenia Stacked Bowls I & II - are two individual sets for a total of 4 pieces. Finish will vary.

APPEARANCE

Material	Cast Aluminum
Finish Will Vary	true
Top Coat/Sealant	true

DIMENSIONS

	9.50
Set 1 Dimension	12.50 IN
Set 2 Dimension	15.00 IN

SHIPPING

Product Weight	12.7 LBS
Gross Weight 1	22 LBS

ADDITIONAL INFO

Features	Sustainable
----------	-------------

CONTRACT

Contract Suitable	true
-------------------	------