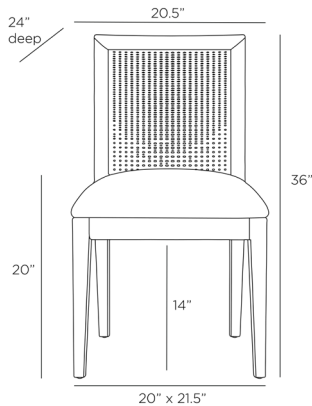


A R T E R I O R S

PALMER DINING CHAIR



FRS05

H: 36 IN, W: 20.5 IN, D: 24 IN

White Muslin

Contract Recommendations: Not for use in high traffic/public spaces

The Palmer expresses a relaxed yet refined aesthetic that marries modern lines with the rich appeal of rattan. The striking side chair is designed with natural rattan that wraps the chair's mahogany frame and forms the caning on the arm panels and back rest. The seat is upholstered in breezy, bright white muslin for recovering. Finishes will vary.

APPEARANCE

Material	Muslin, Rattan, Wood
Material Type	Mahogany
Finish	Natural
Finish Will Vary	true
Top Coat/Sealant	false
Textile Contract Suitability	Not Contract Suitable

DIMENSIONS

Foot Print	W: 20 IN, D: 21.5 IN
Leg	H: 14 IN, W: 1.5, D: 1.5
Seat Back	H: 18 IN
Seat	W: 20.5 IN, D: 19.5 IN
Seat Height	20 IN
Seat	W: 20.5 IN, D: 19.5 IN

SHIPPING

Product Weight	17 LBS
Gross Weight 1	25 LBS
Shipping Box 1	H: 38 IN, L: 22 IN, W: 26 IN

ADDITIONAL INFO

Features	Sustainable
Leg Or Foot Application	Glides
Yardage To Reupholster	1

CONTRACT

Contract Suitable	Not for use in high traffic/public spaces
-------------------	---