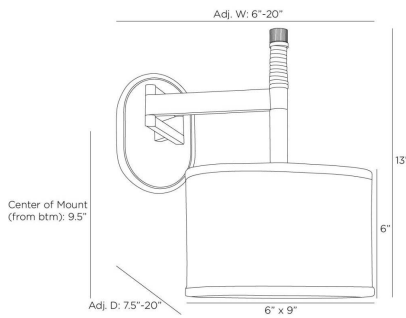


# ARTERIOS

## STITCH SCONCE

WORKSHOP



GADWC05

H: 13 IN, W: 6 IN, D: 20 IN,

Antique Brass

The Stitch sconce is a beautiful alternative to bedside lamps, the sconce features stitched cream leather detailing and a simple oval linen shade, a minimal hinged antique brass-plated iron armature, and inverted light source to cast a soft glow wherever it is needed.

### APPEARANCE

Material	Steel, Leather, Linen
Finish	Antique Brass, Cream, White
Finish Will Vary	Yes
Top Coat/Sealant	Yes

### DIMENSIONS

Backplate	H: 7 IN, W: 5 IN, D: 1 IN
Overall Adjustable	W: 6-20 IN, D: 7.5-20 IN
Shade	H: 6 IN, W: 6 IN, D: 9 IN
Center Of Mount From Btm Height	9.5 in

### WIRING

Rating	Damp
Cord	0.5 FT, Black/White, SVT
Socket	1, Type A - E26
Maximum Watt	60
Voltage	110-120 V

### COMPLIANCY

RoHS	Yes
------	-----

### SHIPPING

Product Weight	5 lbs
Gross Weight 1	6.5 lbs
Shipping Box 1	H: 20.5 IN, L: 16.5 IN, W: 12.6 IN

### CONTRACT

Contract Suitable	Yes
-------------------	-----