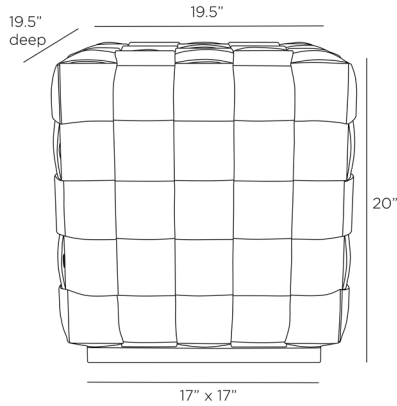


ARTERIOS

WINNETKA OTTOMAN



FOI04

H: 20 IN, W: 19.5 IN, D: 19.5 IN

Black Leather

Contract Suitable As Is

The oversized Winnetka ottoman makes a graphic addition to a living space and serves as a stylish option for additional, pull-up seating. The playful cube is woven entirely in black leather and suede, forming a tonal, checkerboard pattern. The seat rests on recessed antique brass plinth. Finish will vary.

APPEARANCE

Material	Brass, Leather, Suede
Finish	Antique Brass, Black
Finish Will Vary	true
Top Coat/Sealant	false
Textile Contract Suitability	High Traffic/Public Spaces

DIMENSIONS

Foot Print	W: 17 IN, D: 17 IN
------------	--------------------

SHIPPING

Product Weight	39 LBS
Gross Weight 1	48.4 LBS
Shipping Box 1	H: 22.83 IN, L: 22.83 IN, W: 22.83 IN

ADDITIONAL INFO

Fabric Compliancy	NFPA-260, TB117-2013
Fabric Cleaning Code	S - dry clean only
Fabric Content	100% Leather
Fabric Rub Count	N/A

CONTRACT

Contract Suitable	true
-------------------	------