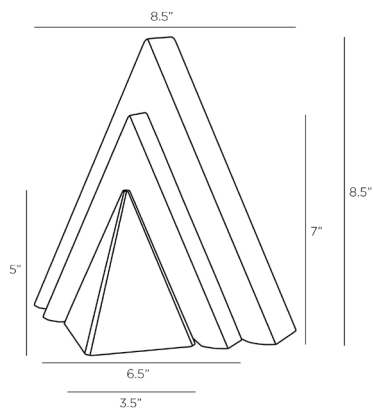


ARTERIO RS

XIOMARA SCULPTURES, SET OF 3



ASC13

Ivory

Contract Suitable As Is

A trio of triangular shapes in ivory and black ricestone composite, as well as smoke finished crystal, are made to mix and mingle in a myriad of ways. Designed to be paired or staged separately. Finish will vary.

APPEARANCE

Material	Crystal, Ricestone
Material Type	Composite
Finish	Black, Smoke
Finish Will Vary	true
Top Coat/Sealant	true

DIMENSIONS

Foot Print Large	W: 2 IN, D: 2 IN
Foot Print Medium	W: 1.5, D: 1.5
Foot Print Small	W: 3.5 IN, D: 3.5 IN

SHIPPING

Product Weight	6.2 LBS
Gross Weight 1	10 LBS
Shipping Box 1	H: 14.5 IN, L: 12.5 IN, W: 7.3 IN

CONTRACT

Contract Suitable	true
-------------------	------