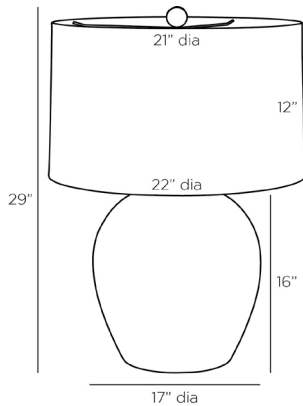


# ARTERIOS

## YUKON LAMP



PTS09-SH026  
H: 29 IN, Dia: 22.00 IN  
German Smear Graphite, Terracotta  
Contract Suitable As Is

Distressed to recall an ancient artifact, this overscale urn has a timeless appeal. Sculpted in terracotta and finished in German smear graphite, its distressed finish makes each singular style unique. Dark antique brass hardware and a matching terracotta finial complement the artisanal form. Finished with an off-white linen shade, clear silver cord and on/off rotary switch.

### APPEARANCE

Material	Cotton, Linen, Steel, Terracotta
Finish	Dark Antique Brass, White
Finish Will Vary	true
Top Coat/Sealant	false
Finial Description	Matching German Smear Graphite Terracotta Sphere
Finial Dimension	1.5" Sphere

### DIMENSIONS

Shade	Top: 21.00 IN, Dia: 22.00 IN, Side: 12 IN
Body	H: 16 IN, Dia: 17.00 IN
Neck	H: 2 IN, Dia: 0.50 IN
Foot Print	Dia: 9.50 IN
Harp	10" Antique Brass IN

### WIRING

Rating	3C,AE,AU,EU,SA,UK,UL
Tilt Test	Indoor Only
Cord	10 Degrees - AU 10 FT, Back of Lamp Base, Clear/ Silver
Socket	1, Dark Antique Brass, Type A - E26
Switch	At Socket, On/Off Rotary
Maximum Watt	150
Voltage	110-120 V

### CERTIFICATIONS

Certifications	Mexico Australia, United Arab Emirates, United Kingdom, United States, Canada
----------------	----------------------------------------------------------------------------------------

### COMPLIANCY

UL/ETL	Yes
CB	Yes
RoHS	true

### SHIPPING

Product Weight	30.3 LBS
Gross Weight 1	37 LBS
Shipping Box 1	H: 26 IN, L: 19 IN, W: 19 IN
Shipping Box 2	H: 31 IN, L: 23.5 IN, W: 23.5 IN

### ADDITIONAL INFO

Shade Shape	Round
Shade Trim	Rolled Edges
Shade Type	Hardback

### REPLACEMENT PARTS

Replacement Part 1	PTS09FIN
Replacement Part 1 Dim	1.5" Sphere

### CONTRACT

Contract Suitable	true
-------------------	------