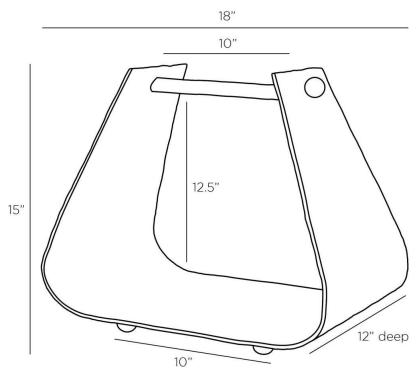


ARTERIOS

BRIDGES FIREPLACE BASKET



AFI03
H: 15 IN, W: 18 IN, D: 12 IN,
Bronze
Contract Suitable As Is

The simplistic yet efficient shape of an equestrian stirrup informs an elegant fireplace basket. Crafted of bronze-finished iron, it is studded with antique brass details at the sides and feet for contrast. A sturdy handle at the top allows easy movement to your desired side of the hearth.

APPEARENCE

Material	Iron, Brass
Finish	Bronze, Antique Brass
Top Coat/Sealant	Yes

DIMENSIONS

Foot Print	W: 10 IN, D: 10 IN
Handle	H: 1 IN, W: 10 IN, D: 10 IN
Opening	H: 12.5 IN, W: 9 IN, D: 6 IN

SHIPPING

Product Weight	10.5 lbs
Gross Weight 1	14.11 lbs
Shipping Box 1	H: 32.5 IN, L: 12 IN, W: 12 IN

CONTRACT

Contract Suitable	Yes
-------------------	-----