

**OUTDOOR
APPROVED**

**BUILD IT
YOUR WAY**
EXPLORE OUR
FABRIC OPTIONS



HELENA COUNTER STOOL

Top to bottom open-weave twisted faux wicker gives our Helena outdoor counter stool a strikingly modern, grid-like look—sharpened by a charcoal finish, and softened by a natural or speckled white finish. Cushion comes upholstered in our base fabric, Alsek White.

SUITABLE FOR FREEZING TEMPERATURES

MATERIAL

Twisted Faux Wicker

DIMENSIONS

22"W x 23"D x 37"H

Seat Height (No Cushion): 23"

Seat Height (w/ Cushion): 25"

Seat Depth: 16.5"

Armrest Height: 31"

Footrest Height: 8"

WEIGHT

11 lbs

UPHOLSTERY INFORMATION

Types of Fabric: Can be upholstered with our outdoor fabric options or COM/COL.

COM YARDAGE REQUIREMENT

Solid: Requires 1 Yard

Pattern: Yardage amount may vary depending on pattern orientation and pattern repeat. Please call for quote.

This item is handcrafted and may show slight variation in size from one piece to another.



FINISHES



Natural



Charcoal



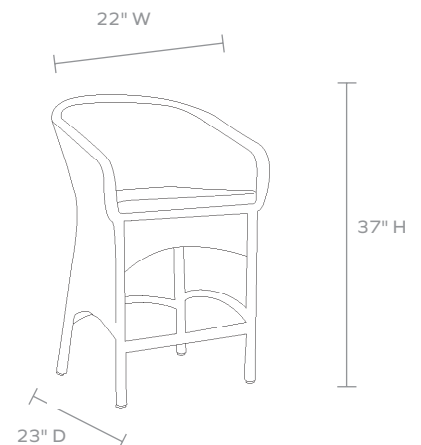
Speckled White



Navy



Weathered Gray



FABRIC WIDTH

FABRIC REPEAT

54"	Plain < 1"	1" - 6"	7" - 14"	15" - 20"	21" - 27"	28" - 36"	Full Width Centered
	0%	15%	30%	35%	40%	45%	100%